

Disco
Guftram

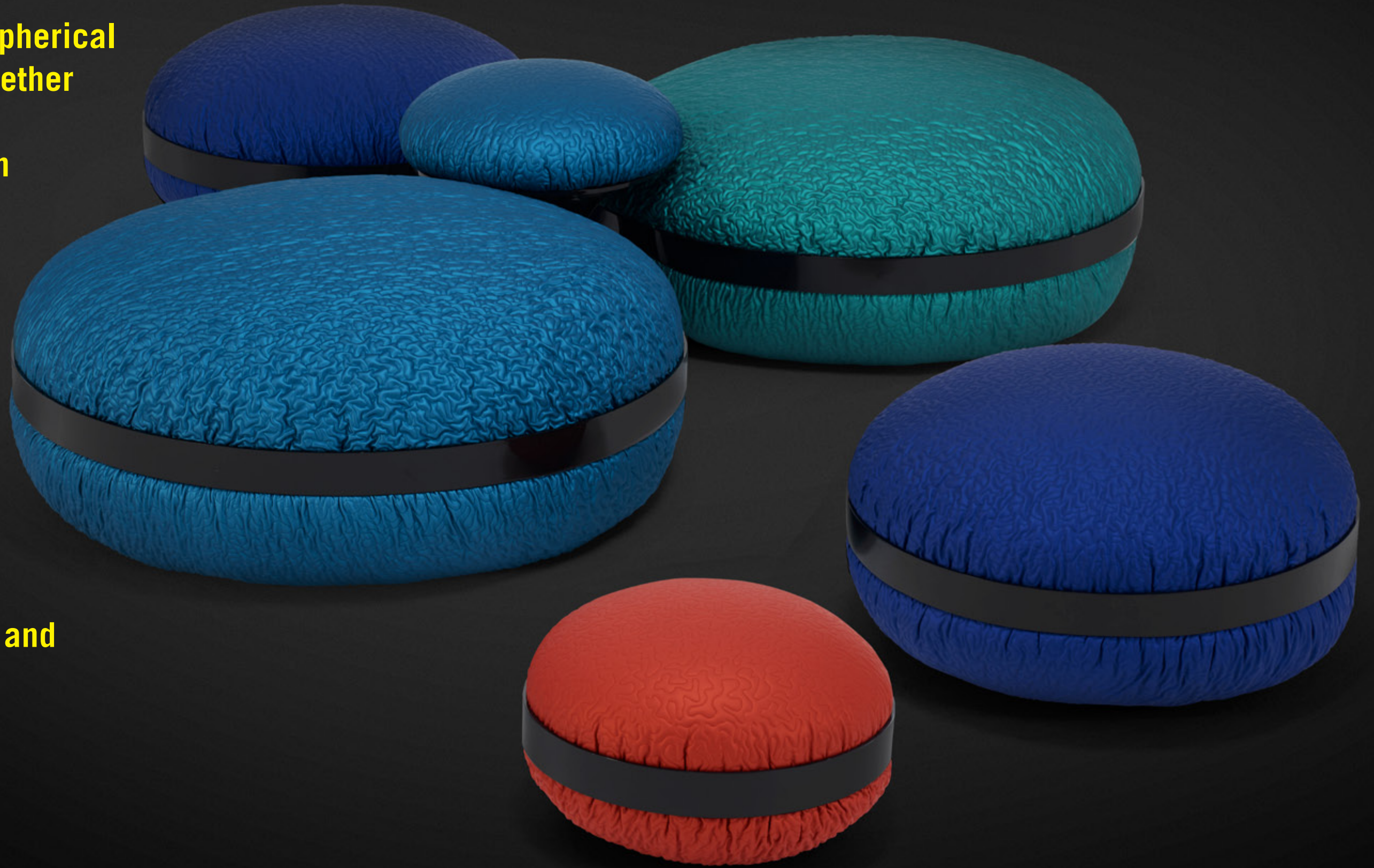
SEATS BY ATELIER BIAGETTI
TONY

TONY

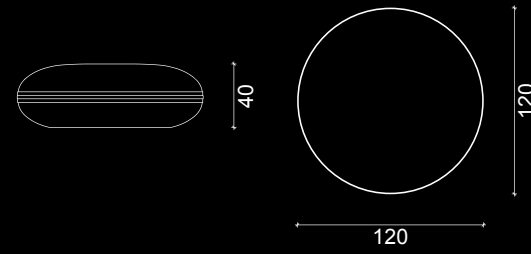
Tony is a radical system of modular seating composed of spherical elements of different dimensions that can be combined together giving rise to an infinite series of combinations, thanks to the assembly of the various parts which is possible through a system of special stops.

The sensual shapes of the different elements – which multiply on a different scale, reshaping themselves from large poufs to small cushions – are highlighted by the unique weave of the fabric that characterizes the covering, giving the surfaces an unexpected touch.

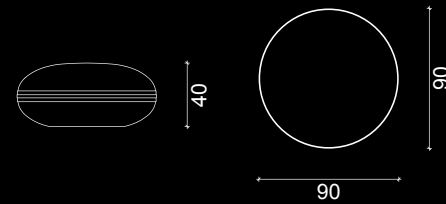
Available in a range of metallic and iridescent colors, quilted with a precious relief labyrinth-like design, Tony is an original seating system, designed for the most dynamic and transversal environments.



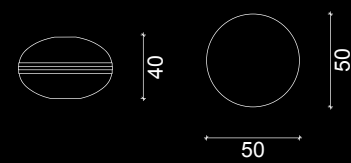
TNY 120



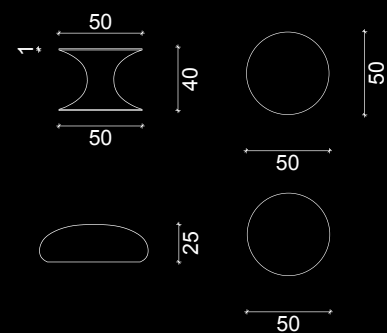
TNY 90



TNY 50



TNY 50 TB



MATERIALS

Wooden structure, polyurethane foam padding, fabric upholstery.

CUSTOMIZATION

The images in the preceding pages show Tony with fabric upholstery. Tony's upholstery may also be made with velvet, and, upon a feasibility evaluation, with fabric provided by the customer. To see and choose among the different combinations of colors and fabrics, please refer to the Disco Gufram selection.

ALL DIMENSIONS ARE EXPRESSED IN CENTIMETERS - THE CODES HIGHLIGHTED IN YELLOW REFER TO PRODUCTS SHOWN IN THE PRECEDING PAGES

DISCOGUFRAM.COM